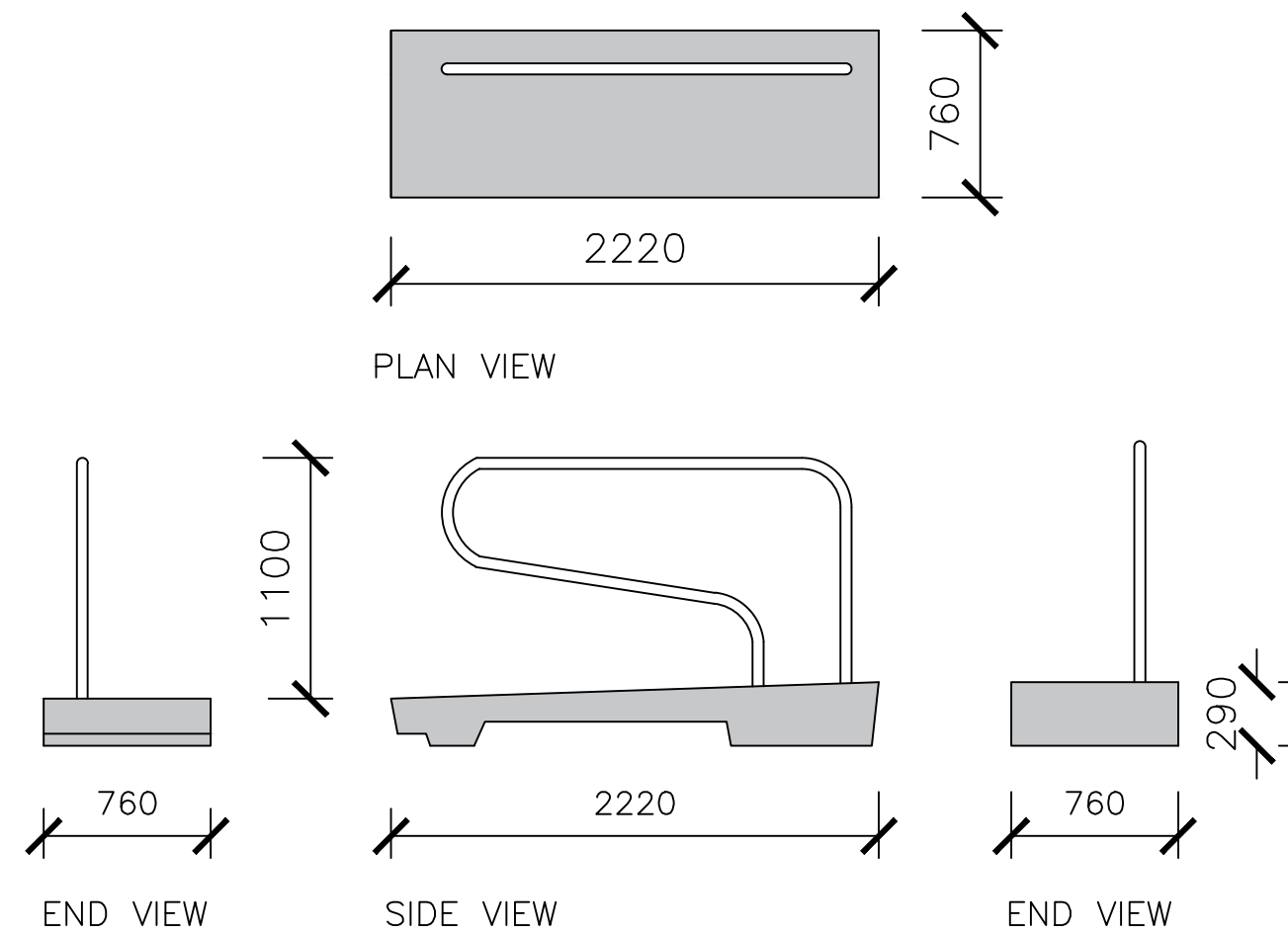


WEIGHT = 1550kg ALSO AVAILABLE WITH NO FRAME

COW CUBICLE
FULL WITH FRAME



WEIGHT = 1020kg ALSO AVAILABLE WITH NO FRAME

COW CUBICLE
2/3 WITH FRAME

COW CUBICLES

ATLAS
CONCRETE LIMITED

PRE-STRESSED CONCRETE SPECIALISTS
Hangar 44, Silloth, Cumbria, CA7 4PA
Tel: 016973 32585 Fax: 016973 32546