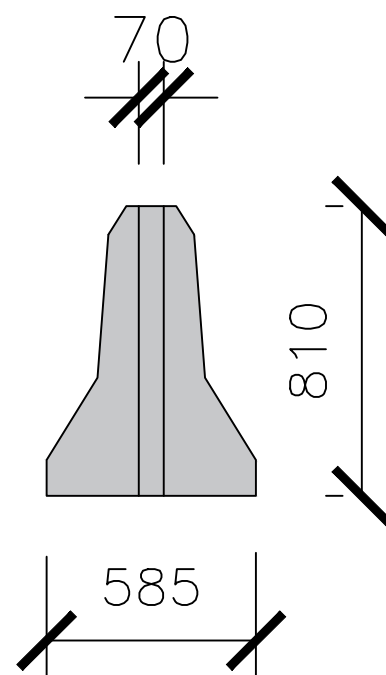
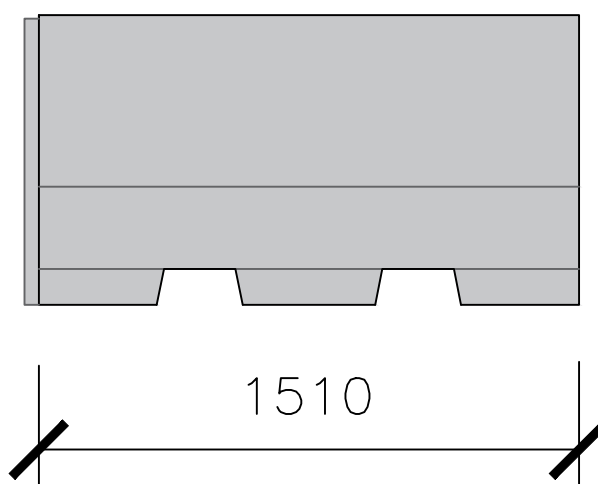




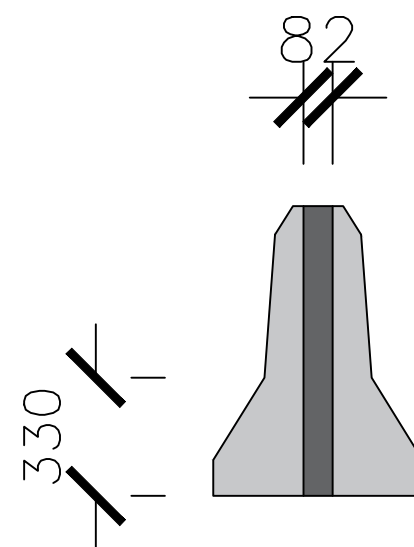
PLAN VIEW



END VIEW



SIDE VIEW



END VIEW

WEIGHT = 780kg

# TRAFFIC BARRIER

TRAFFIC BARRIER

PRE-STRESSED CONCRETE SPECIALISTS  
 Hangar 44, Silloth, Cumbria, CA7 4PA  
 Tel: 016973 32585 Fax: 016973 32546