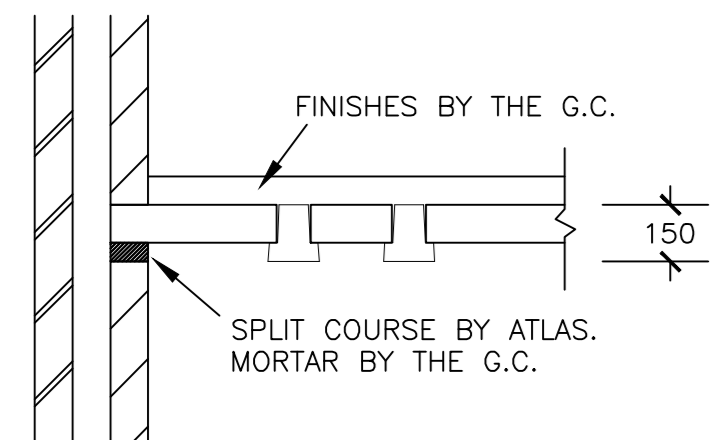
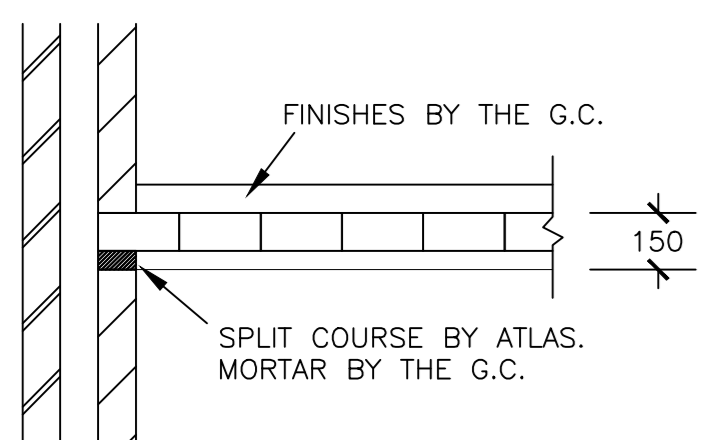


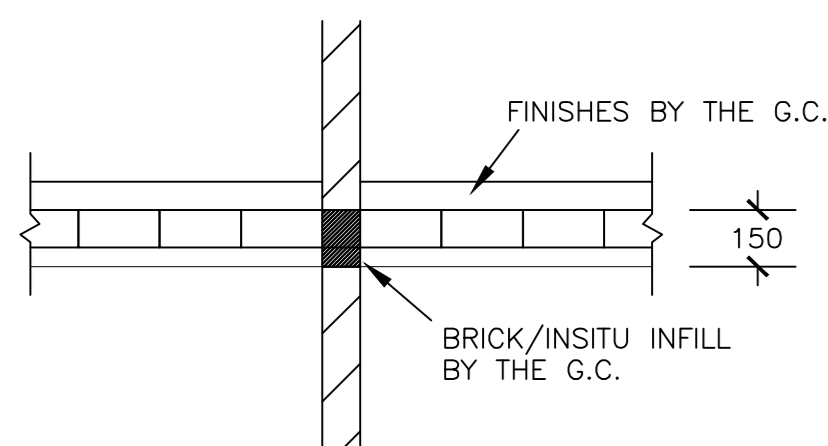
SECTION A - A



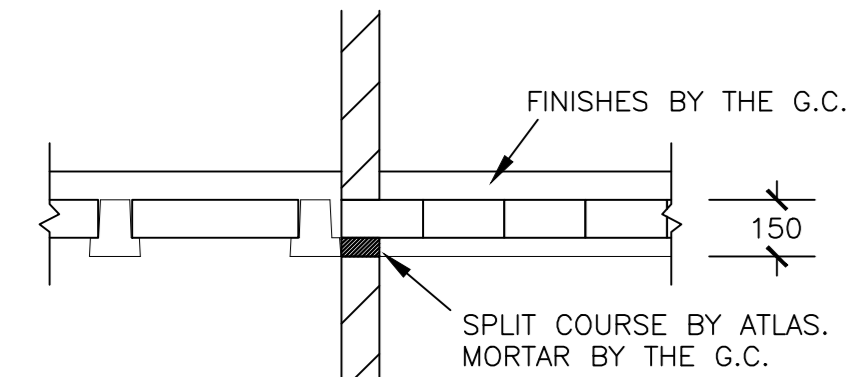
SECTION B - B



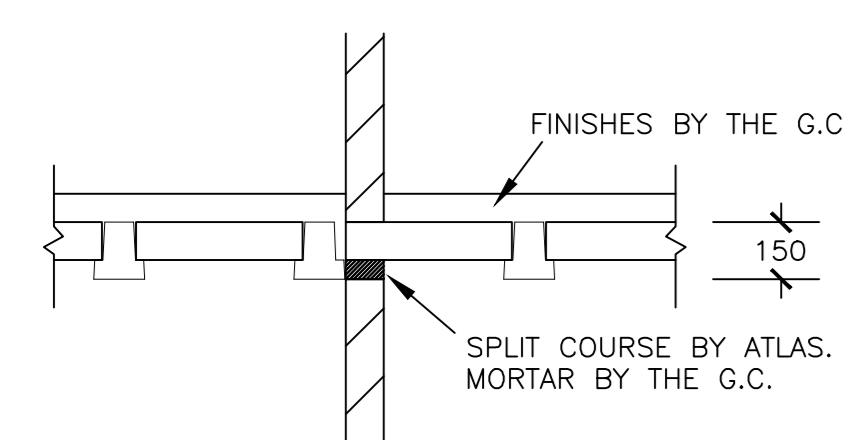
SECTION C - C



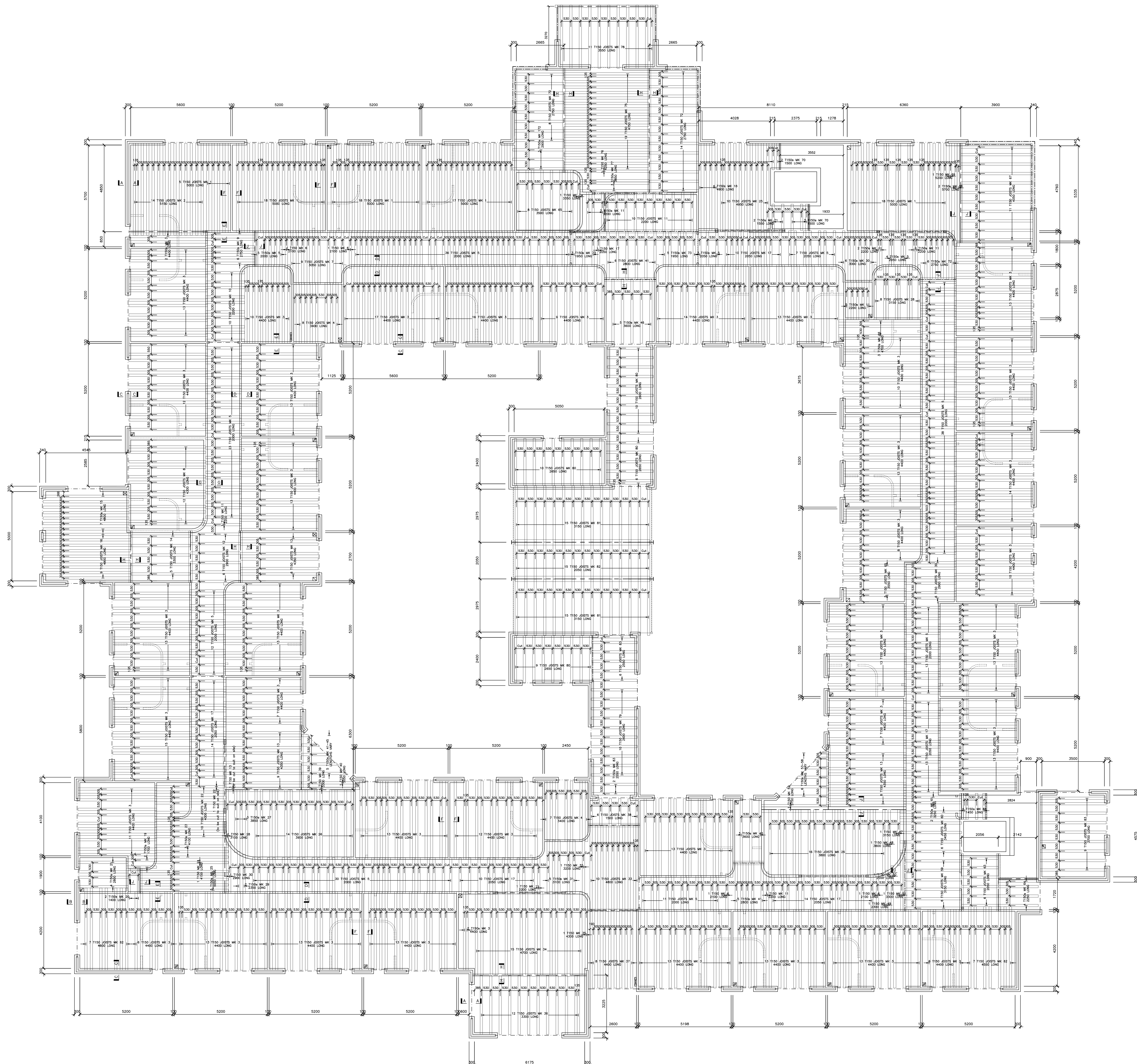
SECTION D - D



SECTION E - E

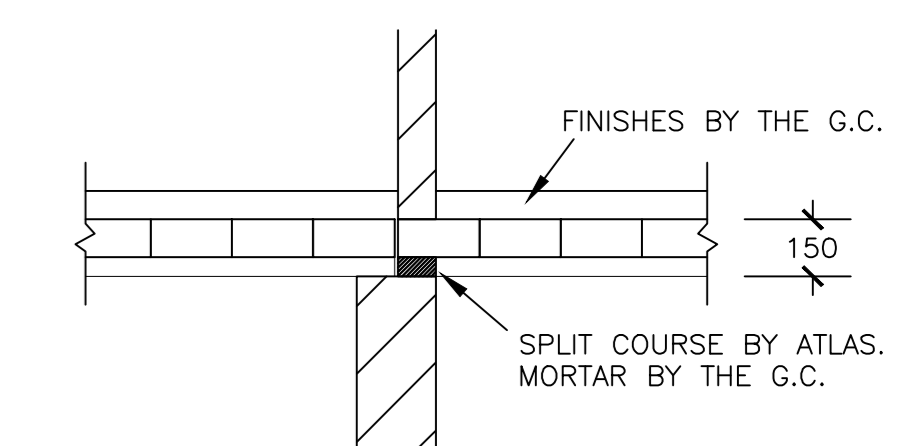


SECTION F - F

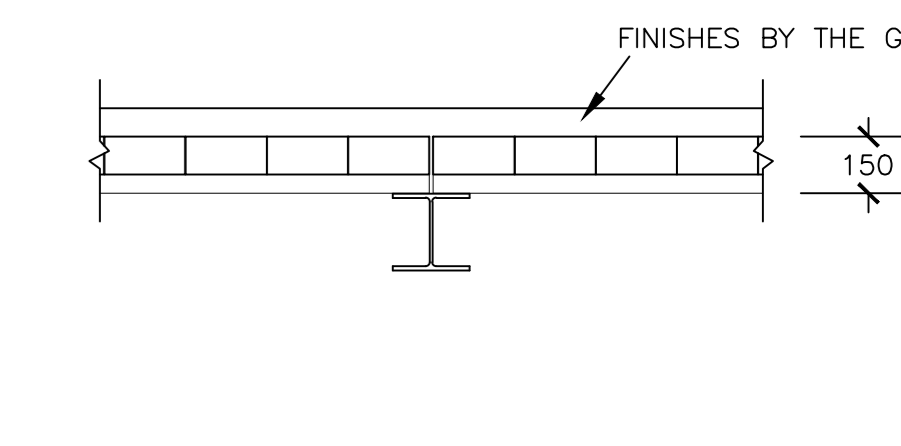


- NOTES**
1. ALL INSITU MAKE-UP BY THE GENERAL CONTRACTOR.
  2. BRICK/INSITU INFILL AT STAGGERED BEARINGS BY THE GENERAL CONTRACTOR.
  3. DOUBLE OR TRIPLE BEAMS TO BE INFILLED WITH C30 CONCRETE BY THE GENERAL CONTRACTOR.
  4. WHERE NECESSARY A D.P.C. SHOULD BE LAID PRIOR TO THE INSTALLATION OF THE P.C. UNITS.
  5. VENTS UNDER FLOORS SHOULD BE VENTILATED IN COMPLIANCE WITH CURRENT BUILDING REGULATIONS.
  6. WALL ANCHOR STRAPS MAY BE FIXED TO THE P.C. FLOOR BY THE G.C. AFTER INSTALLATION AND SHOULD BE SET OUT IN COMPLIANCE WITH CURRENT BUILDING REGS. OR AS SPECIFIED BY THE STRUCTURAL ENGINEER.
  7. ANY ADDITIONAL BEAMS REQUIRED THROUGH THE FLOOR SHOULD BE FORMED BY DRILLING OR REMOVING AN INFILL BLOCK.
  8. THIS DRAWING IS TO BE READ IN CONJUNCTION WITH ALL RELEVANT ARCHITECT AND ENGINEERS DRAWINGS.
  9. 150mm P.C. UNITS SUPPLIED IN 50mm INCREMENTS & 25mm P.C. UNITS SUPPLIED IN 25mm INCREMENTS ONLY.
  10. SPLIT COURSE BLOCKS CAN ONLY BE SUPPLIED IN 100mm WIDTHS. ONLY TO BE USED ON 140mm WALLS AT GENERAL CONTRACTIONS OR STRUCTURAL ENGINEERS DISCRETION.
  11. CONSTRUCTION LOADS MUST NOT EXCEED DESIGN LOADINGS BELOW. ONLY LAND BLOCKS AT THE BEARING ENDS OF THE P.C. UNITS AND DO NOT DOUBLE STACK.

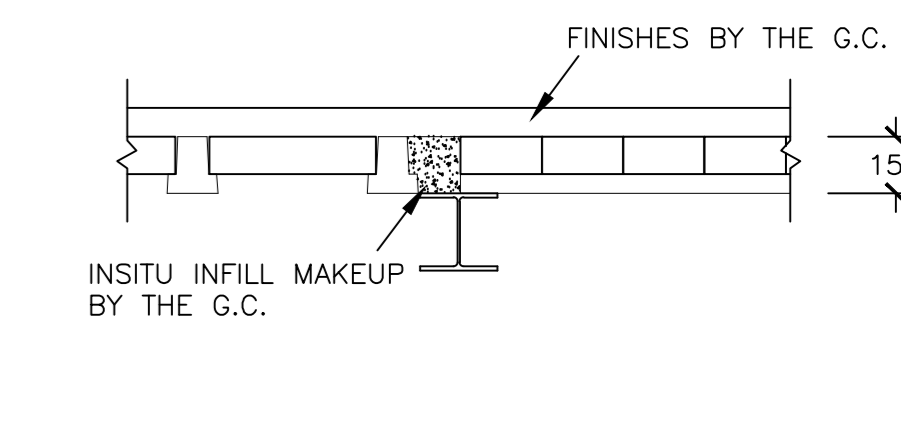
	Beats	Corridors
<b>LOADINGS</b>		
SUPER FINISHES	2.00 kN/m <sup>2</sup>	3.00 kN/m <sup>2</sup>
PARTITIONS	2.05 kN/m <sup>2</sup>	2.05 kN/m <sup>2</sup>
STUD BLOCK	1.00 kN/m <sup>2</sup>	



SECTION G - G



SECTION H - H



SECTION J - J

Rev	Description	Date
	Job Title	

**BRYN SEIGNT  
CAERNARFON**

**PLAN SHOWING LAYOUT OF 150mm DEEP  
P.C. FLOOR UNITS @ FIRST FLOOR LEVEL**

Scale: 1:50      Drawn by: Mark Cawley  
Date: 25/09/14      Contract No. H11255

Drg No. **AT 6040/01**      Rev.

**ATLAS  
CONCRETE LIMITED**  
PRE-STRESSED CONCRETE SPECIALISTS  
Hangar 44, Silloth, Cumbria, CA7 4PA  
Tel: 016973 32585      Fax: 016973 32546